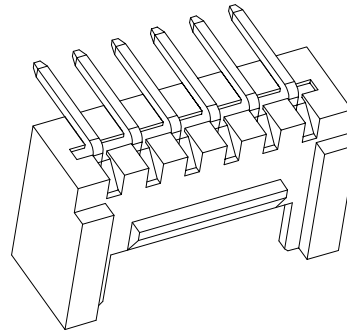
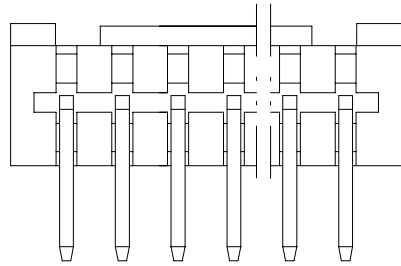


RoHS

REV	ECN NO.	DESCRIPTION	DESIGN	APPROVAL	DATE
A1	NEW	更换图框			2024.05.24



SPECIFICATIONS

1. Current rating: 3 A
2. Temperature range: -25°C ~ +85°C
3. Insulation resistance: 1000MΩ Min.
4. Withstanding voltage: 1000V AC/ minute.
5. Contact resistance: 20mΩ Max.

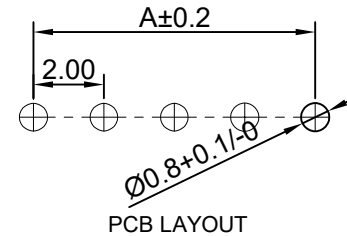
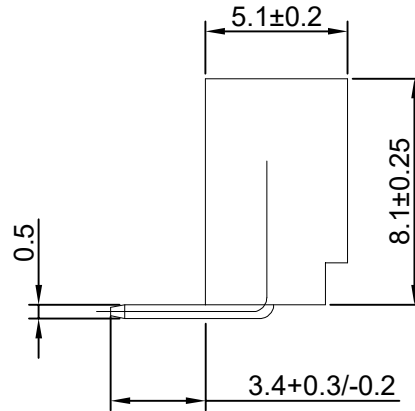
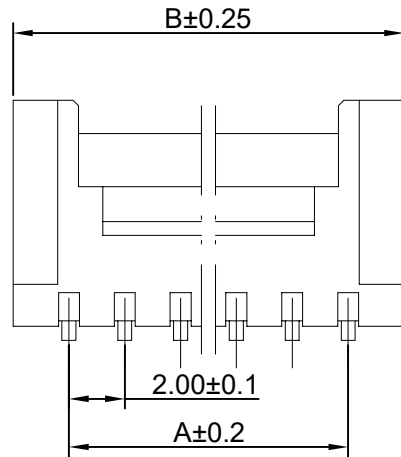
Material:

Insulator Material:Nylon66.Ul94V-0
 Contact Material:Brass
 Contact Area Plating: Tin-Plated
 with XFCN P2016 series Housing

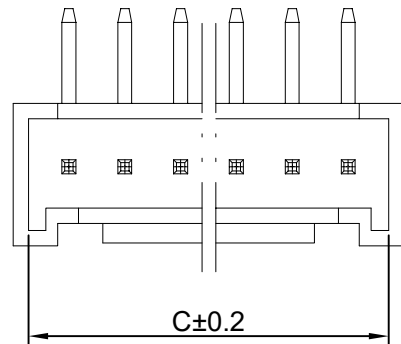
Ordering Code:

M2016R-XX
 1 2

- 1.序列号
- 2.Pin位数: 02-16P



No.of PIN/ROW	Dimension		
	A	B	C
02	2.00	6.00	4.90
03	4.00	8.00	6.90
04	6.00	10.00	8.90
05	8.00	12.00	10.90
06	10.00	14.00	12.90
07	12.00	16.00	14.90
08	14.00	18.00	16.90
09	16.00	20.00	18.90
10	18.00	22.00	20.90
11	20.00	24.00	22.90
12	22.00	26.00	24.90
13	24.00	28.00	26.90
14	26.00	30.00	28.90
15	28.00	32.00	30.90
16	30.00	34.00	32.90



X.±0.50	X.°±
.XX±0.25	.X°±
.XX±0.15	.XX°±
.XXX±0.10	.XXX°±
UNITS:	mm

THESE DRAWINGS AND SPECIFICATIONS ARE THE PROPERTY OF XFCN AND SHALL NOT BE REPRODUCED, COPIED OR CUED IN ANY MANNER WITHOUT THE PRIOR WRITTEN CONSENT OF XFCN

PART NO: M2016R-XX		XFCN 兴飞连接器		
TITLE: 2.00mm Crimp Style Connectors				
		0769-82001899		
		www.xfconn.com		
		DWG NO:		
APPD	Chen ZhiQiang	VIEW		
CHKD	Liu Wei	SCALE		
DRAW	Chen HongJiang	SHEET	1/1	REV
DATE	2024.08.05	NONE	1/1	A1